



### ZND-4080 RF Ordering Information:

ZND-4080 RF HD IP Fixed Dome Camera  
(1/3" CMOS, 2.0M, 15fps, UXGA, 0.5Lux, 0LUX  
with IR, WiFi)

### Key Features:

- 1/3" Progressive Scan CMOS sensor.
- Support 1600\*1200(15fps), 1280\*960(25fps), 1280\*720(25fps) high definition.
- Support Color/BW mode converting (partial cameras support).
- Built-in 6/8/12mm fixed focus lens is optional.
- 18 infrared LED light, the distance up to 12 meters ("-IR" model supports).
- H.264/MJEG is optional, dual streaming, low bandwidth, and high quality.
- Support AWB, natural color, clear image.
- Build in 1 channel audio input and audio output ports, support realtime audio capture and two-way talking.
- Built-in SD card slot, support SDHC card.
- Built-in Wireless WiFi module ("-w" model supports).
- Support protocols:  
RTSP,RTP,HTTP,TCP/IP,UDP,SMTP,PPPoE,DDNS,DNS,SNTP,DHCP,FTP.
- Support 802.11b/g/n Wireless protocols、 supports WEP,WPA,WPA2 ("-w" model supports).
- Alarm recording: video lost, motion detection and sensor alarm.
- Support privacy zone mask (max 4 individual mask zone).
- Built-in Web server enables the use of a standard Web browser for viewing and management.

**Specifications:**

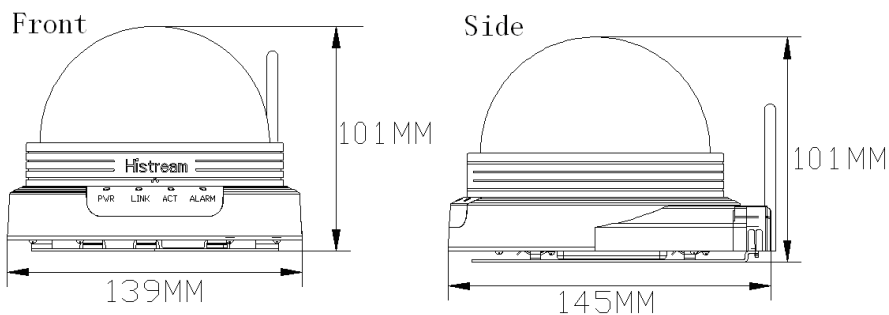
Model		ZND-4080 RF series	ZND-4080 RF
Type		HD IP Fixed Dome Camera	
CPU		ARM9,32 bit RISC	
SoC Chip		HISILICON Hi3512	
Network	LAN	Realtek 10/100M BASE-TX	
	WiFi	Ralink 2.4GHz 802.11b/g("-w" model supports)	
Sensor Model		1/3" Progressive Scan CMOS sensor, 2.0M	
Effective Pixels		1600(H)×1200(V)	
Min.Illumination		Color Mode:0.5Lux@F1.2	Color Mode: 0.5Lux@F1.2
		B/W Mode: 0LUX(IR ON)	
IR Parameters		18 IR LEDs,IR distance 12m("-IR" model supports)	
S/N		≥48db(AGC OFF,Weight On)	
Control		AWC/ATW、AGC、BLC	
Auto Electronic Shutter		1/50(1/60)—1/10000sec	
Optical lens	Interfaces	CS	
	Lens	Fixed Iris	
	Focal Length	6mm fixed iris lens,Optional 8mm/12mm	
	Monitor distance	(6mm:5-10m;8mm:10-20m;12mm:20-30m)	
Audio Talkback		1 channel MIC input, External access	
Audio Output		1 channel linear output	
Storage Interface		SDHC card supports video storage and image snapping; SD2.0 standard,maximum storage 32G	
Network Interface	LAN	10/100M BASE-TX,RJ-45 connector	
	WiFi	ANT connector,antenna gain 2db,maximum wireless distance can be 100 meters ("-w" model supports)	
I/O Interface		1-channel input, Normally Open/Normally Close modes adjustable; 1-channel output, 120VAC 1A/24VDC 1A,1 RS485 interface	
Video Compression		H.264 Main Profile, MJPEG/JPEG Baseline	
Resolution	Master Streaming	1600*1200,1-15fps/sec; 1280*960,1-25fps/sec; 1280*720,1-25fps/sec	
	Second Streaming	640*352,1-25fps/sec; 320*176,1-25fps/sec; 160*120,1-25fps/sec	
Video Bitrate		32Kbps~16Mbps,Supports CBR/VBR	
Title OSD		Supports channel name, date, and video stream information overlay;OSD location is adjustable	
Audio Compression		G.726、G.711	
Data storage		video and image	
Recording		Recording set up to record by motion trigger,alarm trigger, manual, or schedule	
Alarm Output		E-mail, Explorer, Software	
Network protocol		TCP/IP、UDP、RTP、RTSP、RTCP、HTTP、DNS、DDNS、DHCP、FTP、NTP、PPPOE、SMTP、UPNP	
Wireless protocols		Support 802.11b/g Wireless protocols、supports WEP,WPA,WPA2("-w" model supports)	
Remote View	Computer	IE 6.0 or up, max 10 user	
	Mobile	Windows Mobile、Symbian、iPhone	

ZND-4080 RF HD IP Fixed Dome Camera

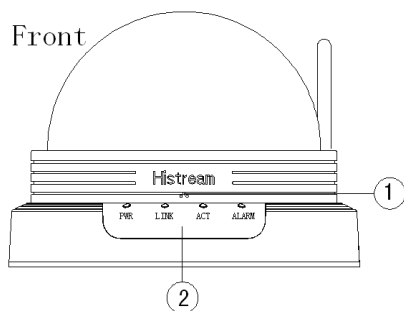
	Phone	
Operating Temperature		-10°C - +55°C
Operating Humidity		0% - 90%
Power		DC12V
Power Consumption		7W(MAX)
Dimension		139mm * 145mm * 101mm
Weight		0.46KG

**Dimensions And Interfaces:**

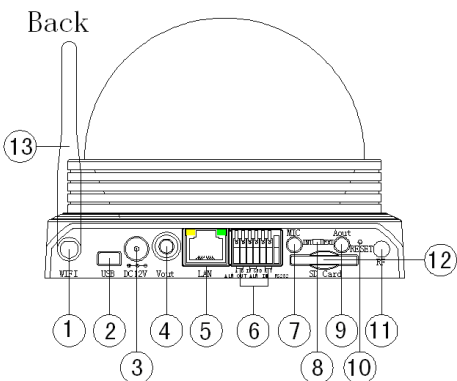
**Dimensions:**



**Interfaces:**



- ① Built-in microphone
- ② State indicator



- ③ Wireless interface, ANT connector
- ④ MINI USB interface (undefined)
- ⑤ DC12V Input
- ⑥ Video out, BNC connector(undefined)
- ⑦ Ethernet interface, RJ45 network connector
- ⑧ I/O interface
- ⑨ Audio in interface, MIC connector
- ⑩ AUDIO Switch
- ⑪ Audio out interface, RCA connector
- ⑫ Reset button
- ⑬ RF interface, ANT connector(undefined)
- ⑭ SDHC card slot
- ⑮ WiFi antenna

**I/O definition:**

1	1A: ALARM Output	4	GND: ALARM Input GND
2	1B: ALARM Output	5	R: RS232 control input +(undefined)
3	IN: ALARM Input	6	T: RS232 control input -(undefined)